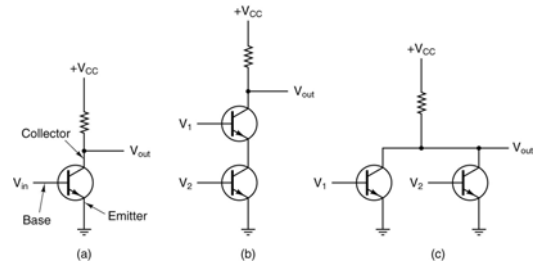


The Digital Logic Level

Chapter 3

Tanenbaum, Structured Computer Organization, Fifth Edition, (c) 2006 Pearson Education, Inc. All rights reserved. 0-13-148521-0

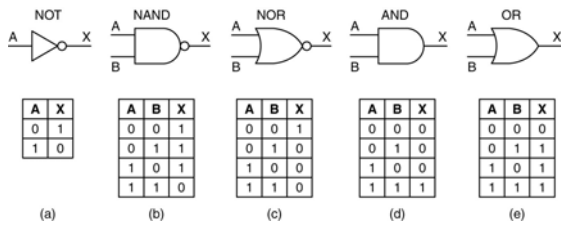
Gates and Boolean Algebra (1)



- (a) A transistor inverter.
- (b) A NAND gate.
- (c) A NOR gate.

Tanenbaum, Structured Computer Organization, Fifth Edition, (c) 2006 Pearson Education, Inc. All rights reserved. 0-13-148521-0

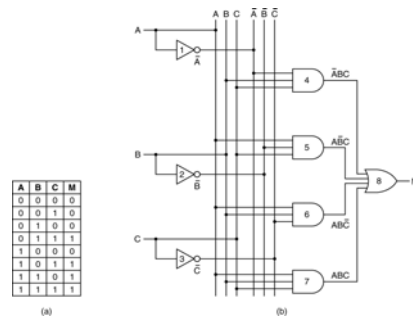
Gates and Boolean Algebra (2)



The symbols and functional behavior for the five basic gates.

Tanenbaum, Structured Computer Organization, Fifth Edition, (c) 2006 Pearson Education, Inc. All rights reserved. 0-13-148521-0

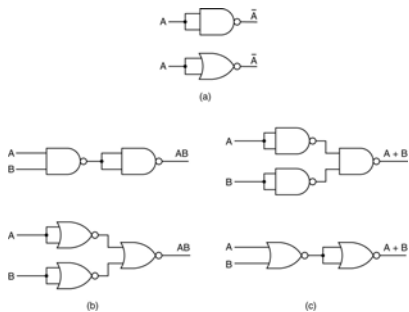
Boolean Algebra



- (a) Truth table for majority function of three variables.
- (b) A circuit for (a).

Tanenbaum, Structured Computer Organization, Fifth Edition, (c) 2006 Pearson Education, Inc. All rights reserved. 0-13-148521-0

Circuit Equivalence (1)



Construction of (a) NOT, (b) AND, and (c) OR gates using only NAND gates or only NOR gates.

Tanenbaum, Structured Computer Organization, Fifth Edition, (c) 2006 Pearson Education, Inc. All rights reserved. 0-13-148521-0

Circuit Equivalence (2)



A	B	C	AB	AC	AB + AC
0	0	0	0	0	0
0	0	1	0	0	0
0	1	0	0	0	0
0	1	1	0	0	0
1	0	0	0	0	0
1	0	1	0	1	1
1	1	0	1	0	1
1	1	1	1	1	1

A	B	C	A	B + C	A(B + C)
0	0	0	0	0	0
0	0	1	0	1	0
0	1	0	0	1	0
0	1	1	0	1	0
1	0	0	1	0	0
1	0	1	1	1	1
1	1	0	1	1	1
1	1	1	1	1	1

(a)

(b)

Two equivalent functions (a) $AB + AC$, (b) $A(B + C)$.

Tanenbaum, Structured Computer Organization, Fifth Edition, (c) 2006 Pearson Education, Inc. All rights reserved. 0-13-148521-0

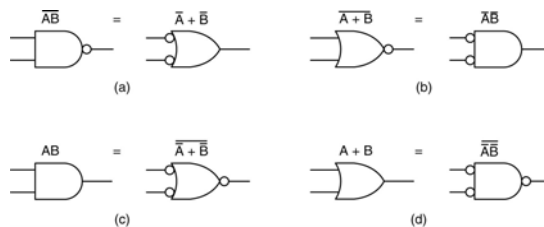
Circuit Equivalence (3)

Name	AND form	OR form
Identity law	$1A = A$	$0 + A = A$
Null law	$0A = 0$	$1 + A = 1$
Idempotent law	$AA = A$	$A + A = A$
Inverse law	$A\bar{A} = 0$	$A + \bar{A} = 1$
Commutative law	$AB = BA$	$A + B = B + A$
Associative law	$(AB)C = A(BC)$	$(A + B) + C = A + (B + C)$
Distributive law	$A + BC = (A + B)(A + C)$	$A(B + C) = AB + AC$
Absorption law	$A(A + B) = A$	$A + AB = A$
De Morgan's law	$\overline{AB} = \bar{A} + \bar{B}$	$\overline{A + B} = \bar{A}\bar{B}$

Some identities of Boolean algebra.

Tanenbaum, Structured Computer Organization, Fifth Edition, (c) 2006 Pearson Education, Inc. All rights reserved. 0-13-148521-0

Circuit Equivalence (4)



Alternative symbols for some gates:

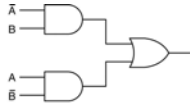
(a) NAND, (b) NOR, (c) AND, (d) OR

Tanenbaum, Structured Computer Organization, Fifth Edition, (c) 2006 Pearson Education, Inc. All rights reserved. 0-13-148521-0

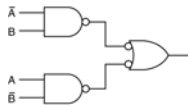
Circuit Equivalence (5)

A	B	XOR
0	0	0
0	1	1
1	0	1
1	1	0

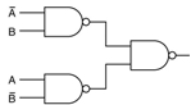
(a)



(b)



(c)



(d)

(a) The truth table for the XOR function.
 (b-d) Three circuits for computing it.

Tanenbaum, Structured Computer Organization, Fifth Edition, (c) 2006 Pearson Education, Inc. All rights reserved. 0-13-148521-0

Circuit Equivalence (6)

A	B	F
0 ^V	0 ^V	0 ^V
0 ^V	5 ^V	0 ^V
5 ^V	0 ^V	0 ^V
5 ^V	5 ^V	5 ^V

(a)

A	B	F
0	0	0
0	1	0
1	0	0
1	1	1

(b)

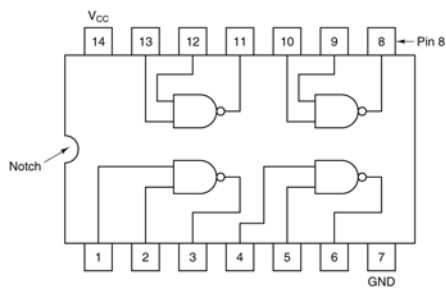
A	B	F
1	1	1
1	0	1
0	1	1
0	0	0

(c)

(a) Electrical characteristics of a device.
 (b) Positive logic.
 (c) Negative logic.

Tanenbaum, Structured Computer Organization, Fifth Edition, (c) 2006 Pearson Education, Inc. All rights reserved. 0-13-148521-0

Integrated Circuits

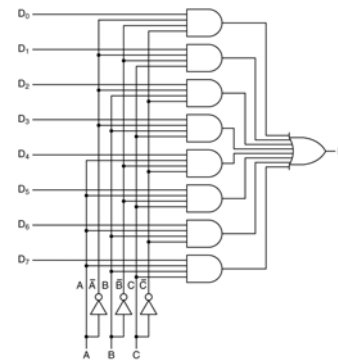


An SSI chip containing four gates.

Tanenbaum, Structured Computer Organization, Fifth Edition, (c) 2006 Pearson Education, Inc. All rights reserved. 0-13-148521-0

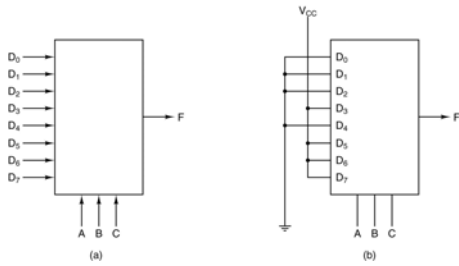
Multiplexers (1)

An eight-input multiplexer circuit.



Tanenbaum, Structured Computer Organization, Fifth Edition, (c) 2006 Pearson Education, Inc. All rights reserved. 0-13-148521-0

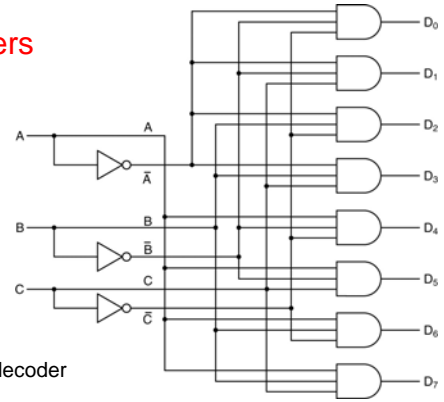
Multiplexers (2)



- (a) An MSI multiplexer.
 (b) The same multiplexer wired to compute the majority function.

Tanenbaum, Structured Computer Organization, Fifth Edition, (c) 2006 Pearson Education, Inc. All rights reserved. 0-13-148521-0

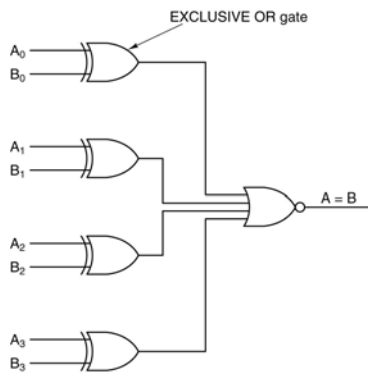
Decoders



A 3-to-8 decoder circuit.

Tanenbaum, Structured Computer Organization, Fifth Edition, (c) 2006 Pearson Education, Inc. All rights reserved. 0-13-148521-0

Comparators

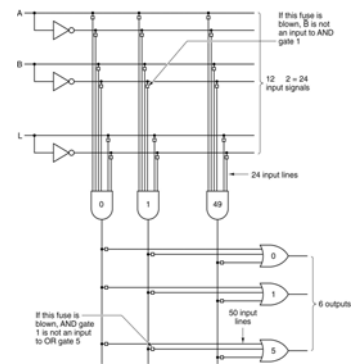


A simple 4-bit comparator.

Tanenbaum, Structured Computer Organization, Fifth Edition, (c) 2006 Pearson Education, Inc. All rights reserved. 0-13-148521-0

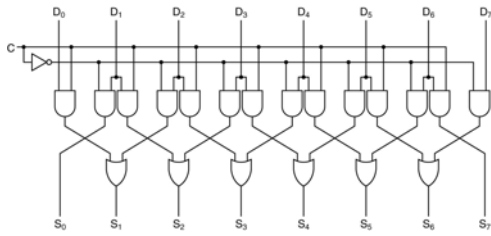
Programmable Logic Arrays

A 12-input, 6-output programmable logic array. The little squares represent fuses that can be burned out.



Tanenbaum, Structured Computer Organization, Fifth Edition, (c) 2006 Pearson Education, Inc. All rights reserved. 0-13-148521-0

Shifters



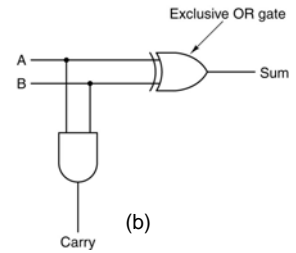
A 1-bit left/right shifter.

Tanenbaum, Structured Computer Organization, Fifth Edition, (c) 2006 Pearson Education, Inc. All rights reserved. 0-13-148521-0

Adders (1)

A	B	Sum	Carry
0	0	0	0
0	1	1	0
1	0	1	0
1	1	0	1

(a)



(b)

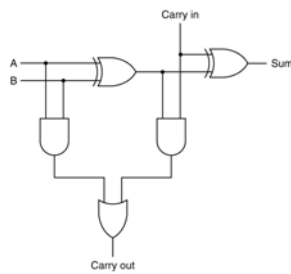
(a) A truth table for 1-bit addition.
(b) A circuit for a half adder.

Tanenbaum, Structured Computer Organization, Fifth Edition, (c) 2006 Pearson Education, Inc. All rights reserved. 0-13-148521-0

Adders (2)

A	B	Carry in	Sum	Carry out
0	0	0	0	0
0	0	1	1	0
0	1	0	1	0
0	1	1	0	1
1	0	0	1	0
1	0	1	0	1
1	1	0	0	1
1	1	1	1	1

(a)



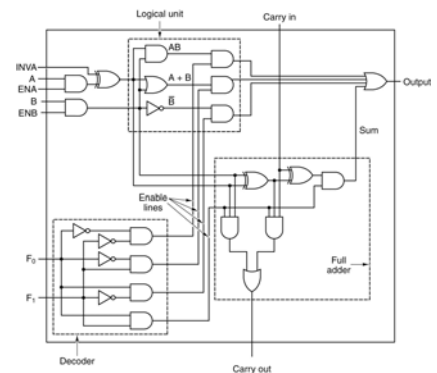
(b)

(a) Truth table for a full adder.
(b) Circuit for a full adder.

Tanenbaum, Structured Computer Organization, Fifth Edition, (c) 2006 Pearson Education, Inc. All rights reserved. 0-13-148521-0

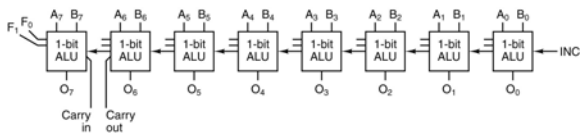
Arithmetic Logic Units (1)

A 1-bit ALU.



Tanenbaum, Structured Computer Organization, Fifth Edition, (c) 2006 Pearson Education, Inc. All rights reserved. 0-13-148521-0

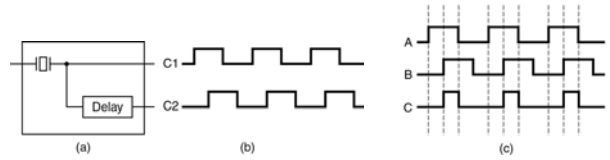
Arithmetic Logic Units (2)



Eight 1-bit ALU slices connected to make an 8-bit ALU. The enables and invert signals are not shown for simplicity.

Tanenbaum, Structured Computer Organization, Fifth Edition, (c) 2006 Pearson Education, Inc. All rights reserved. 0-13-148521-0

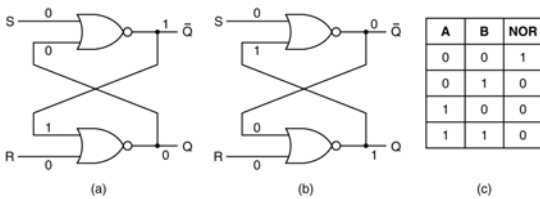
Clocks



- (a) A clock.
- (b) The timing diagram for the clock.
- (c) Generation of an asymmetric clock.

Tanenbaum, Structured Computer Organization, Fifth Edition, (c) 2006 Pearson Education, Inc. All rights reserved. 0-13-148521-0

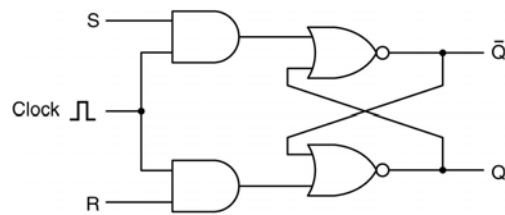
Latches (1)



- (a) NOR latch in state 0.
- (b) NOR latch in state 1.
- (c) Truth table for NOR.

Tanenbaum, Structured Computer Organization, Fifth Edition, (c) 2006 Pearson Education, Inc. All rights reserved. 0-13-148521-0

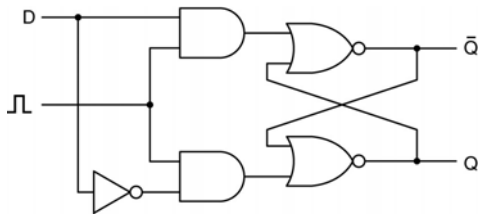
Latches (2)



A clocked SR latch.

Tanenbaum, Structured Computer Organization, Fifth Edition, (c) 2006 Pearson Education, Inc. All rights reserved. 0-13-148521-0

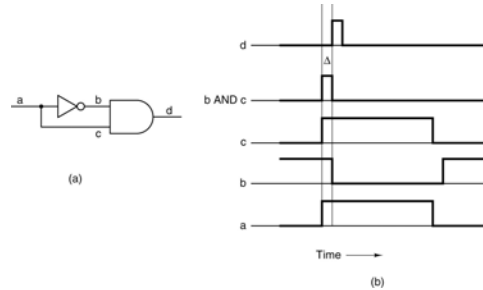
Latches (3)



A clocked D latch.

Tanenbaum, Structured Computer Organization, Fifth Edition, (c) 2006 Pearson Education, Inc. All rights reserved. 0-13-148521-0

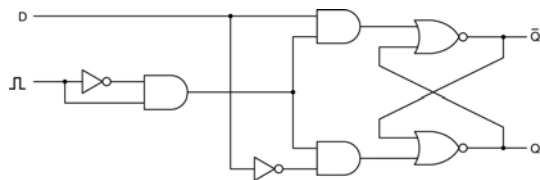
Flip-Flops (1)



(a) A pulse generator.
(b) Timing at four points in the circuit.

Tanenbaum, Structured Computer Organization, Fifth Edition, (c) 2006 Pearson Education, Inc. All rights reserved. 0-13-148521-0

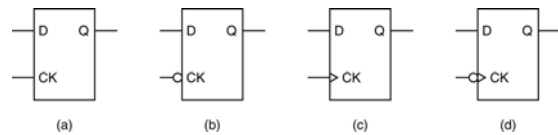
Flip-Flops (2)



A D flip-flop.

Tanenbaum, Structured Computer Organization, Fifth Edition, (c) 2006 Pearson Education, Inc. All rights reserved. 0-13-148521-0

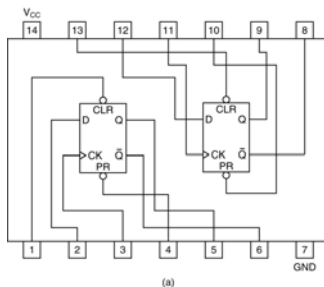
Flip-Flops (3)



D latches and flip-flops.

Tanenbaum, Structured Computer Organization, Fifth Edition, (c) 2006 Pearson Education, Inc. All rights reserved. 0-13-148521-0

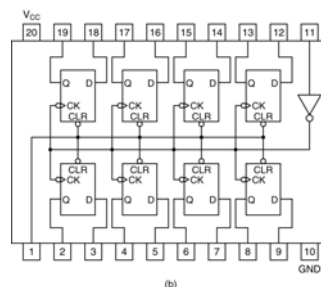
Flip-Flops (4)



Dual D flip-flop.

Tanenbaum, Structured Computer Organization, Fifth Edition, (c) 2006 Pearson Education, Inc. All rights reserved. 0-13-148521-0

Flip-Flops (5)



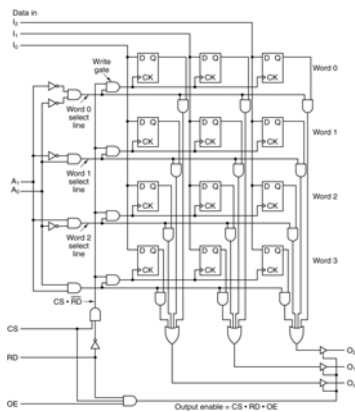
Octal flip-flop.

Tanenbaum, Structured Computer Organization, Fifth Edition, (c) 2006 Pearson Education, Inc. All rights reserved. 0-13-148521-0

Memory Organization (1)

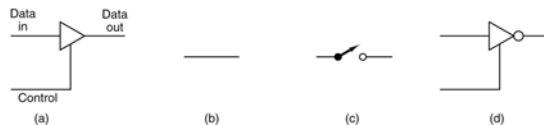
Logic diagram for a 4 x 3 memory.

Each row is one of the four 3-bit words.



Tanenbaum, Structured Computer Organization, Fifth Edition, (c) 2006 Pearson Education, Inc. All rights reserved. 0-13-148521-0

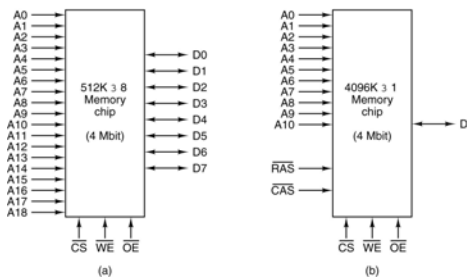
Memory Organization (2)



- (a) A noninverting buffer.
- (b) Effect of (a) when control is high.
- (c) Effect of (a) when control is low.
- (d) An inverting buffer.

Tanenbaum, Structured Computer Organization, Fifth Edition, (c) 2006 Pearson Education, Inc. All rights reserved. 0-13-148521-0

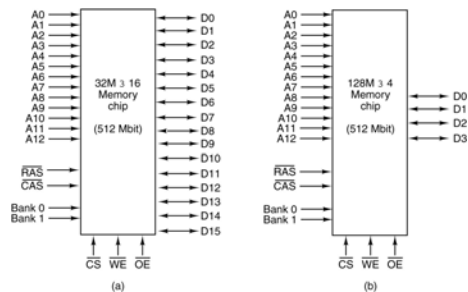
Memory Chips (1)



Two ways of organizing a 4-Mbit memory chip.

Tanenbaum, Structured Computer Organization, Fifth Edition, (c) 2006 Pearson Education, Inc. All rights reserved. 0-13-148521-0

Memory Chips (2)



Two ways of organizing a 512 Mbit memory chip.

Tanenbaum, Structured Computer Organization, Fifth Edition, (c) 2006 Pearson Education, Inc. All rights reserved. 0-13-148521-0

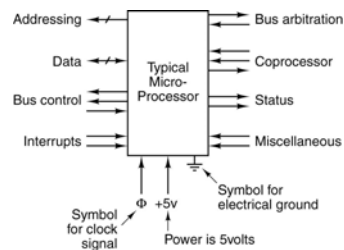
Nonvolatile Memory Chips

Type	Category	Erasure	Byte alterable	Volatile	Typical use
SRAM	Read/write	Electrical	Yes	Yes	Level 2 cache
DRAM	Read/write	Electrical	Yes	Yes	Main memory (old)
SDRAM	Read/write	Electrical	Yes	Yes	Main memory (new)
ROM	Read-only	Not possible	No	No	Large volume appliances
PROM	Read-only	Not possible	No	No	Small volume equipment
EPROM	Read-mostly	UV light	No	No	Device prototyping
EEPROM	Read-mostly	Electrical	Yes	No	Device prototyping
Flash	Read/write	Electrical	No	No	Film for digital camera

A comparison of various memory types.

Tanenbaum, Structured Computer Organization, Fifth Edition, (c) 2006 Pearson Education, Inc. All rights reserved. 0-13-148521-0

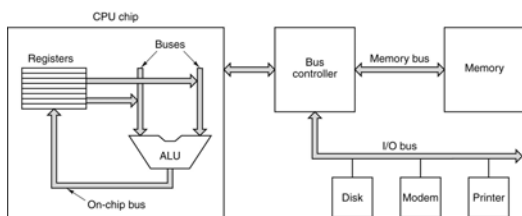
CPU Chips



The logical pinout of a generic CPU. The arrows indicate input signals and output signals. The short diagonal lines indicate that multiple pins are used. For a specific CPU, a number will be given to tell how many.

Tanenbaum, Structured Computer Organization, Fifth Edition, (c) 2006 Pearson Education, Inc. All rights reserved. 0-13-148521-0

Computer Buses (1)



A computer system with multiple buses.

Tanenbaum, Structured Computer Organization, Fifth Edition, (c) 2006 Pearson Education, Inc. All rights reserved. 0-13-148521-0

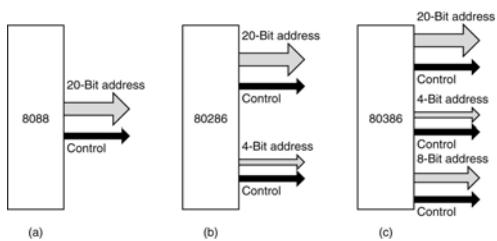
Computer Buses (2)

Master	Slave	Example
CPU	Memory	Fetching instructions and data
CPU	I/O device	Initiating data transfer
CPU	Coprocessor	CPU handing instruction off to coprocessor
I/O	Memory	DMA (Direct Memory Access)
Coprocessor	CPU	Coprocessor fetching operands from CPU

Examples of bus masters and slaves.

Tanenbaum, Structured Computer Organization, Fifth Edition, (c) 2006 Pearson Education, Inc. All rights reserved. 0-13-148521-0

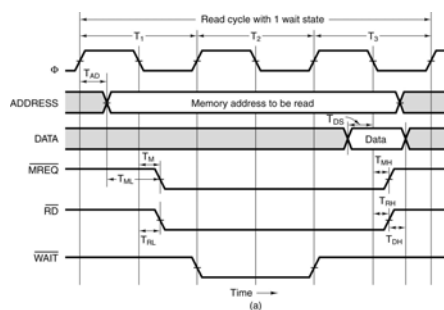
Bus Width



Growth of an Address bus over time.

Tanenbaum, Structured Computer Organization, Fifth Edition, (c) 2006 Pearson Education, Inc. All rights reserved. 0-13-148521-0

Bus Clcking (1)



Read timing on a synchronous bus.

Tanenbaum, Structured Computer Organization, Fifth Edition, (c) 2006 Pearson Education, Inc. All rights reserved. 0-13-148521-0

Bus Clocking (2)

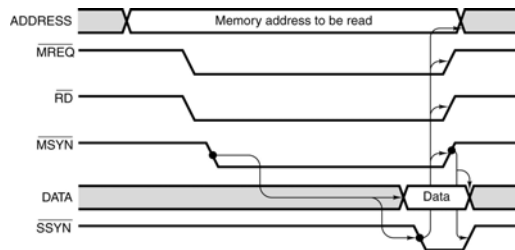
Symbol	Parameter	Min	Max	Unit
T_{AD}	Address output delay		4	nsec
T_{ML}	Address stable prior to \overline{MREQ}	2		nsec
T_M	\overline{MREQ} delay from falling edge of Φ in T_1		3	nsec
T_{RL}	RD delay from falling edge of Φ in T_1		3	nsec
T_{DS}	Data setup time prior to falling edge of Φ	2		nsec
T_{MH}	\overline{MREQ} delay from falling edge of Φ in T_3		3	nsec
T_{RH}	RD delay from falling edge of Φ in T_3		3	nsec
T_{DH}	Data hold time from negation of \overline{RD}	0		nsec

(b)

Specification of some critical times.

Tanenbaum, Structured Computer Organization, Fifth Edition, (c) 2006 Pearson Education, Inc. All rights reserved. 0-13-148521-0

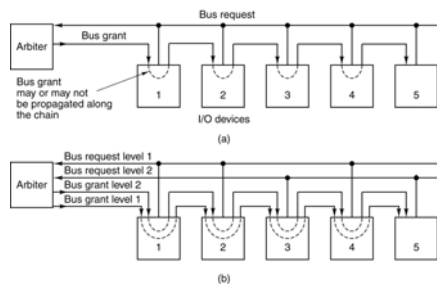
Asynchronous Buses



Operation of an asynchronous bus.

Tanenbaum, Structured Computer Organization, Fifth Edition, (c) 2006 Pearson Education, Inc. All rights reserved. 0-13-148521-0

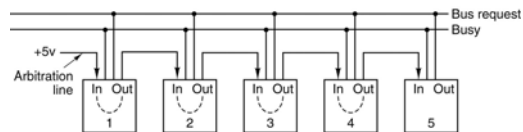
Bus Arbitration (1)



- (a) A centralized one-level bus arbiter using daisy chaining.
 (b) The same arbiter, but with two levels.

Tanenbaum, Structured Computer Organization, Fifth Edition, (c) 2006 Pearson Education, Inc. All rights reserved. 0-13-148521-0

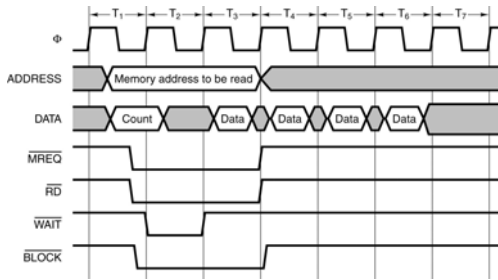
Bus Arbitration (2)



Decentralized bus arbitration.

Tanenbaum, Structured Computer Organization, Fifth Edition, (c) 2006 Pearson Education, Inc. All rights reserved. 0-13-148521-0

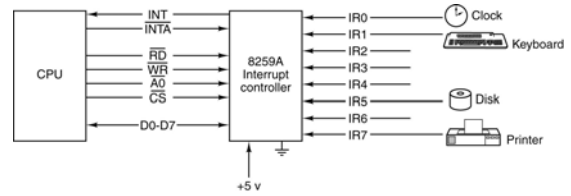
Bus Operations (1)



A block transfer.

Tanenbaum, Structured Computer Organization, Fifth Edition, (c) 2006 Pearson Education, Inc. All rights reserved. 0-13-148521-0

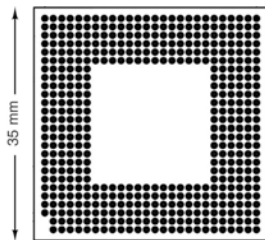
Bus Operations (2)



Use of the 8259A interrupt controller.

Tanenbaum, Structured Computer Organization, Fifth Edition, (c) 2006 Pearson Education, Inc. All rights reserved. 0-13-148521-0

The Pentium 4

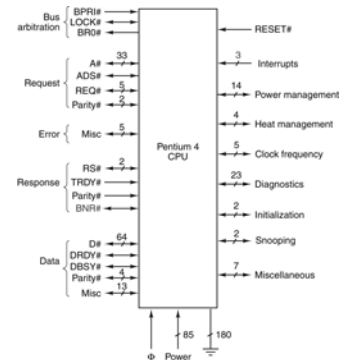


The Pentium 4 physical pinout.

Tanenbaum, Structured Computer Organization, Fifth Edition, (c) 2006 Pearson Education, Inc. All rights reserved. 0-13-148521-0

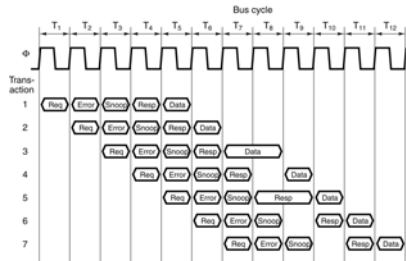
The Pentium 4's Logical Pinout

Logical pinout of the Pentium 4. Names in upper case are the official Intel names for individual signals. Names in mixed case are groups of related signals or signal descriptions.



Tanenbaum, Structured Computer Organization, Fifth Edition, (c) 2006 Pearson Education, Inc. All rights reserved. 0-13-148521-0

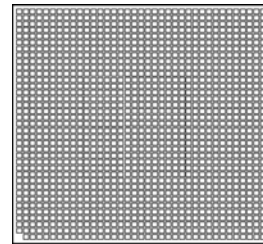
Pipelining on the Pentium 4's Memory Bus



Pipelining requests on the Pentium 4's memory bus.

Tanenbaum, Structured Computer Organization, Fifth Edition, (c) 2006 Pearson Education, Inc. All rights reserved. 0-13-148521-0

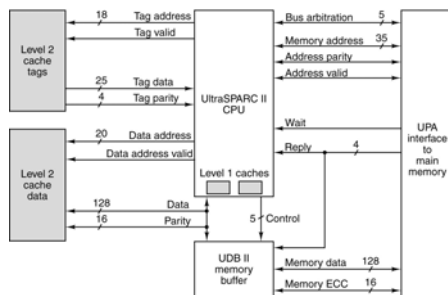
The UltraSPARC III (1)



The UltraSPARC III CPU chip.

Tanenbaum, Structured Computer Organization, Fifth Edition, (c) 2006 Pearson Education, Inc. All rights reserved. 0-13-148521-0

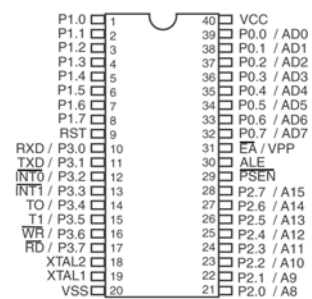
The UltraSPARC III (2)



The main features of the core of an UltraSPARC III system.

Tanenbaum, Structured Computer Organization, Fifth Edition, (c) 2006 Pearson Education, Inc. All rights reserved. 0-13-148521-0

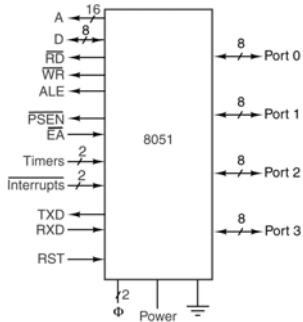
The 8051 (1)



Physical pinout of the 8051.

Tanenbaum, Structured Computer Organization, Fifth Edition, (c) 2006 Pearson Education, Inc. All rights reserved. 0-13-148521-0

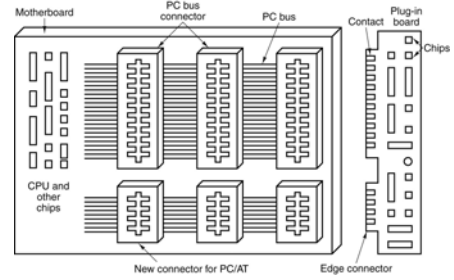
The 8051 (2)



Logical pinout of the 8051.

Tanenbaum, Structured Computer Organization, Fifth Edition, (c) 2006 Pearson Education, Inc. All rights reserved. 0-13-148521-0

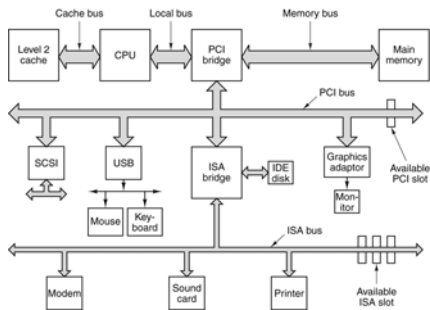
The ISA Bus



The PC/AT bus has two components, the original PC part and the new part.

Tanenbaum, Structured Computer Organization, Fifth Edition, (c) 2006 Pearson Education, Inc. All rights reserved. 0-13-148521-0

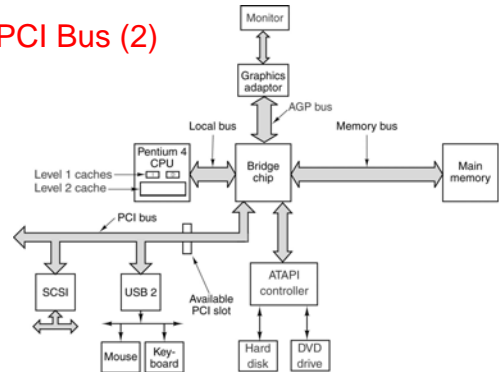
The PCI Bus (1)



Architecture of an early Pentium system. The thicker buses have more bandwidth than the thinner ones but the figure is not to scale.

Tanenbaum, Structured Computer Organization, Fifth Edition, (c) 2006 Pearson Education, Inc. All rights reserved. 0-13-148521-0

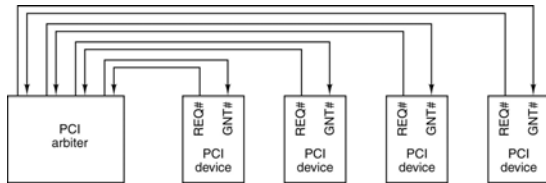
The PCI Bus (2)



The bus structure of a modern Pentium 4.

Tanenbaum, Structured Computer Organization, Fifth Edition, (c) 2006 Pearson Education, Inc. All rights reserved. 0-13-148521-0

PCI Bus Arbitration



The PCI bus uses a centralized bus arbiter.

Tanenbaum, Structured Computer Organization, Fifth Edition, (c) 2006 Pearson Education, Inc. All rights reserved. 0-13-148521-0

PCI Bus Signals(1)

Signal	Lines	Master	Slave	Description
CLK	1			Clock (33 MHz or 66 MHz)
AD	32	×	×	Multiplexed address and data lines
PAR	1	×		Address or data parity bit
C/BE	4	×		Bus command/bit map for bytes enabled
FRAME#	1	×		Indicates that AD and C/BE are asserted
IRDY#	1	×		Read: master will accept; write: data present
IDSEL	1	×		Select configuration space instead of memory
DEVSEL#	1		×	Slave has decoded its address and is listening
TRDY#	1		×	Read: data present; write: slave will accept
STOP#	1		×	Slave wants to stop transaction immediately
PERR#	1			Data parity error detected by receiver
SERR#	1			Address parity error or system error detected
REQ#	1			Bus arbitration: request for bus ownership
GNT#	1			Bus arbitration: grant of bus ownership
RST#	1			Reset the system and all devices

Mandatory PCI bus signals.

Tanenbaum, Structured Computer Organization, Fifth Edition, (c) 2006 Pearson Education, Inc. All rights reserved. 0-13-148521-0

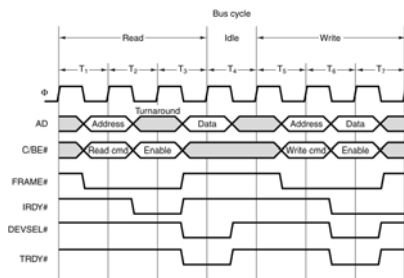
PCI Bus Signals(2)

Signal	Lines	Master	Slave	Description
REQ64#	1	×		Request to run a 64-bit transaction
ACK64#	1		×	Permission is granted for a 64-bit transaction
AD	32	×		Additional 32 bits of address or data
PAR64	1	×		Parity for the extra 32 address/data bits
C/BE#	4	×		Additional 4 bits for byte enables
LOCK	1	×		Lock the bus to allow multiple transactions
SBO#	1			Hit on a remote cache (for a multiprocessor)
SDONE	1			Snooping done (for a multiprocessor)
INTx	4			Request an interrupt
JTAG	5			IEEE 1149.1 JTAG test signals
M66EN	1			Wired to power or ground (66 MHz or 33 MHz)

Optional PCI bus signals.

Tanenbaum, Structured Computer Organization, Fifth Edition, (c) 2006 Pearson Education, Inc. All rights reserved. 0-13-148521-0

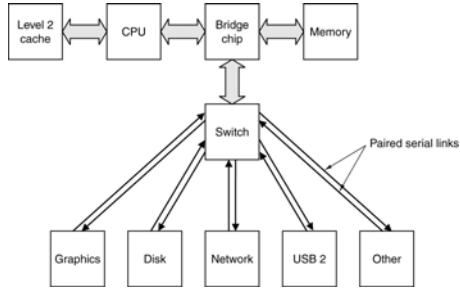
PCI Bus Transactions



Examples of 32-bit PCI bus transactions. The first three cycles are used for a read operation, then an idle cycle, and then three cycles for a write operation.

Tanenbaum, Structured Computer Organization, Fifth Edition, (c) 2006 Pearson Education, Inc. All rights reserved. 0-13-148521-0

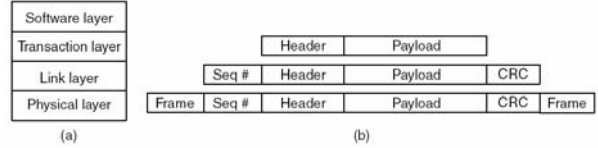
PCI Express



A typical PCI Express system.

Tanenbaum, Structured Computer Organization, Fifth Edition, (c) 2006 Pearson Education, Inc. All rights reserved. 0-13-148521-0

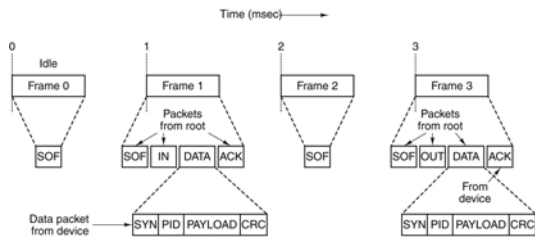
PCI Express Protocol Stack



(a) The PCI Express protocol stack.
(b) The format of a packet.

Tanenbaum, Structured Computer Organization, Fifth Edition, (c) 2006 Pearson Education, Inc. All rights reserved. 0-13-148521-0

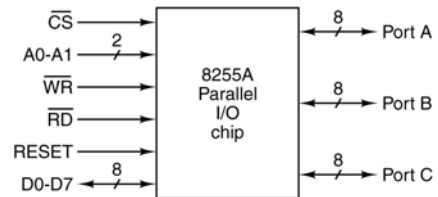
The Universal Serial Bus



The USB root hub sends out frames every 1.00 ms.

Tanenbaum, Structured Computer Organization, Fifth Edition, (c) 2006 Pearson Education, Inc. All rights reserved. 0-13-148521-0

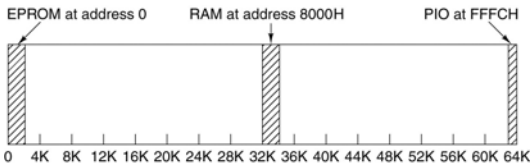
PIO Chips



An 8255A PIO chip.

Tanenbaum, Structured Computer Organization, Fifth Edition, (c) 2006 Pearson Education, Inc. All rights reserved. 0-13-148521-0

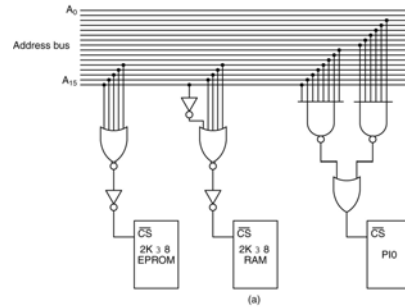
Address Decoding (1)



Location of the EPROM, RAM, and PIO in our 64 KB address space.

Tanenbaum, Structured Computer Organization, Fifth Edition, (c) 2006 Pearson Education, Inc. All rights reserved. 0-13-148521-0

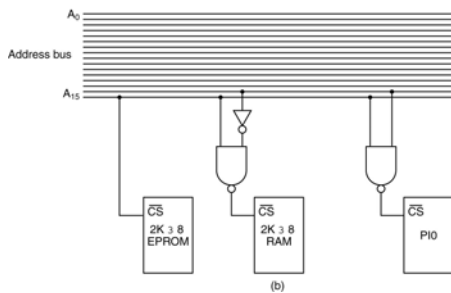
Address Decoding (2)



Full address decoding.

Tanenbaum, Structured Computer Organization, Fifth Edition, (c) 2006 Pearson Education, Inc. All rights reserved. 0-13-148521-0

Address Decoding (3)



Partial address decoding.

Tanenbaum, Structured Computer Organization, Fifth Edition, (c) 2006 Pearson Education, Inc. All rights reserved. 0-13-148521-0